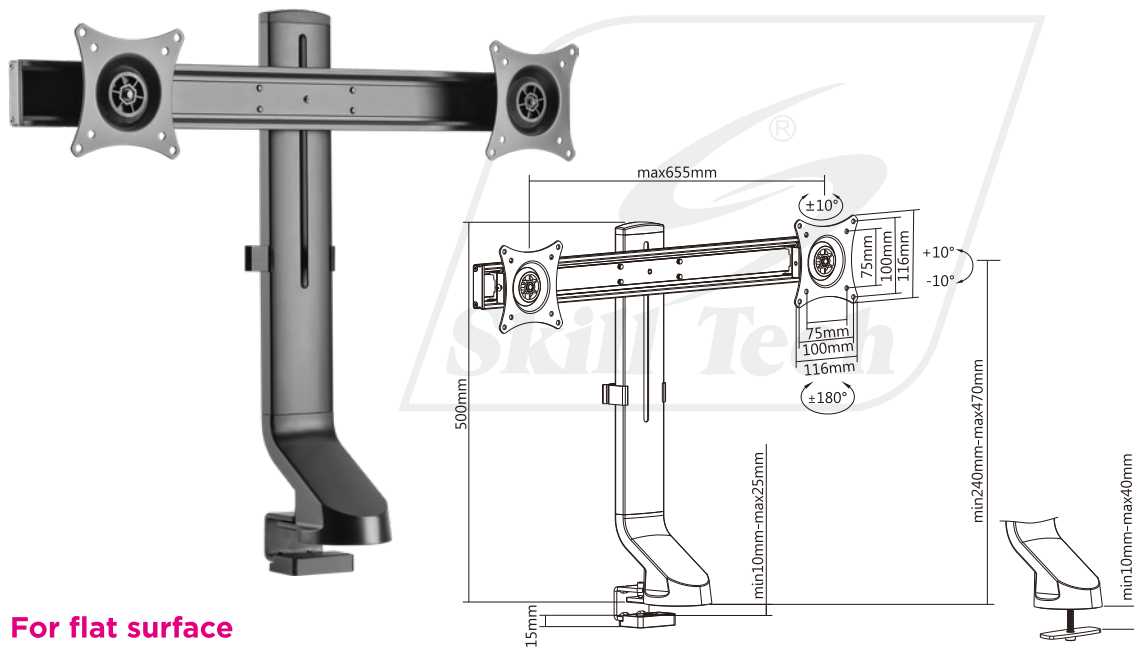


# SH21 C02

## Articulating Monitor Arm

Fits most 17"-27" monitors



Screen Size  
**17" - 27"**



VESA Compatible  
**75x75 100x100**



Screen Rotation  
**360°**



Tilt Range  
**+10° ~ -10°**



Swivel Range  
**+10° ~ -10°**



Weight Capacity  
**7kg/15.4lbs**



Cable Management

**For flat surface  
sit-stand workstations**



**Detachable VESA Plate**  
enables easy installation.



**Cable Management**  
keeps everything organized.



**Clamp & Grommet Installation**  
accommodates more users.